

ELECTRIC TRAILER WINCH

DW-1500i / DW-3000i

- Powerful permanent magnet motor with reverse feature allows winching in as well as winching out for DW-3000i. DW-1500i allows winching in only.
- High impact, weather-resistant plastic housing for extra durability
- Manual freespool for rapid wire rope payout
- An emergency crank handle for emergent winching in when power off
- Circuit breaker motor protection prevents overload and subsequent damage.
- Quick connector kits and tow-ball adapter plate for rear mounting of portable winch
- Main applications of boat ramping, light duty self-recovery of vehicle, general farm and ranch use, boat launching and retrieving, and multipurpose of trailer

SPECIFICATION

| | |
|-------------------------------------|-----------------------------------|
| Line Pull (DW-1500i) | 680 kg / 1,500 lb |
| (DW-3000i) | 1,361 kg / 3,000 lb |
| Rolling Load (DW-1500i) | 5,443 kg / 12,000 lb |
| (DW-3000i) | 11,340 kg / 25,000 lb |
| Motor (DW-1500i) | 120 w / 0.16 hp, permanent magnet |
| (DW-3000i) | 300 w / 0.4 hp, permanent magnet |
| Gear Ratio (DW-1500i) | 466 : 1 |
| (DW-3000i) | 480 : 1 |
| Brake | mechanical |
| Wire Rope Supplied (DW-1500i) | ø5.5 mm x 9.1 m (7/32" x 30') |
| (DW-3000i) | ø5.5 mm x 15.2 m (7/32" x 50') |

LINE SPEED AND AMP. DRAW

(1 st layer of wire rope on the drum)

| MODEL | DW-1500i | | DW-3000i | | | |
|---------------|--------------------|-------------------------|-----------|-------------------------|-----------|-----|
| | Line Pull kg/lb | Line Speed mpm / fpm | Amp. Draw | Line Speed mpm / fpm | Amp. Draw | |
| | | | 12V | | 12V | 24V |
| No Load | 1.8 / 6 | 2.5 | 1.3 / 4.0 | 4 | 2 | |
| 454 / 1,000 | 0.43 / 1.4 | 7 | 1.1 / 3.5 | 19 | 13 | |
| 680 / 1,500 | 0.37 / 1.2 | 14 | 1.0 / 3.4 | 23 | 14 | |
| 907 / 2,000 | | | 1.0 / 3.3 | 27 | 15 | |
| 1,361 / 3,000 | | | 0.9 / 3.1 | 34 | 17 | |



DW-1500i



DW-3000i

STANDARD ACCESSORIES

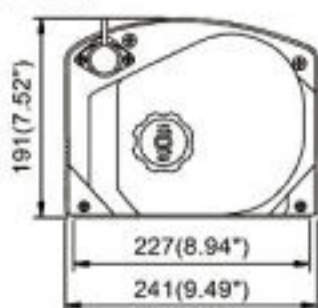
- Hand-held remote switch w / 3 m (10') cord
- Wire rope with hook
- Circuit breaker
- Battery lead
- Emergency handle crank
- Ball adapter plate
- Snatch block CBT-06

PACKAGE

| | |
|-------------------------------|--|
| Winch Weight (DW-1500i) ... | 13 kg / 28.6 lb |
| (DW-3000i) | 17.1 kg / 37.8 lb |
| Gross Weight (DW-1500i) | 15 kg / 33 lb |
| (DW-3000i) | 21.1 kg / 46.5 lb |
| Box Dimension | |
| (DW-1500i) | 287 x 254 x 218 mm (11.3" x 10" x 8.6") |
| (DW-3000i) | 348 x 307 x 231 mm (13.7" x 12.1" x 9.1") |

DIMENSION mm / in

DW-1500i



DW-3000i

